



**IS 单级单吸清水离心泵**  
SINGLE STAGE CENTRIFUGAL PUMP

## 用途及特点

产品执行标准：Q/GZGY 3

IS型泵是卧式单级单吸清水离心泵，供吸送清水及物理化学性质类似水不含固体颗粒的液体。它广泛适用于工农业及城市、排水、消防供水等。

IS型泵系根据国际标准ISO2858所规定的性能和尺寸设计，其技术标准均向国际标准靠拢，达到国际先进水平。它是我国推广的节能泵类产品之一。

本泵结构简单，性能可靠，体积小，重量轻，抗汽蚀性能好，电耗低，使用维修方便。

IS型泵通用性广，全系列共140种规格，但只用四种轴；同一规格的轴，轴承，轴封，叶轮紧固件等均能互换；全系列泵的悬架也只有四种。

泵转速分为2900和1450转/分两种。

## APPLICATION AND CHARACTERISTIC:

Product Standard: Q/GZGY 3

IS single stage centrifugal pumps are used for pumping clear water or liquids which is similar to water in chemical and physical. They are suitable for plants and agriculture, water supply and drainage and firefighting.

IS pumps are designed according to international standard ISO2858 performance and specifications. The technical level reaches the international level. It is one of the energy-saving products in China.

IS pump is simple structure, reliable performance, small size, light weight, good in anti-cavitation, lower power consumption, easy maintenance.

IS pumps are universal pumps, they are 140 specifications and 4 size for the pump shaft, for the same specification, the shaft, bearing, shaft seal and impeller fastening are interchangeable. There are 4 sizes of bearing housing.

Pump speed: 2900rpm and 1450rpm

## 性能

	2900转/分	1450转/分
最大流量：	240米 <sup>3</sup> /h	400米 <sup>3</sup> /h
最高总扬程：	125米	55米
最高转速：	3500转/分（用于60周波电源时，叶轮直径有所减少）	
最高工作温度：	80	

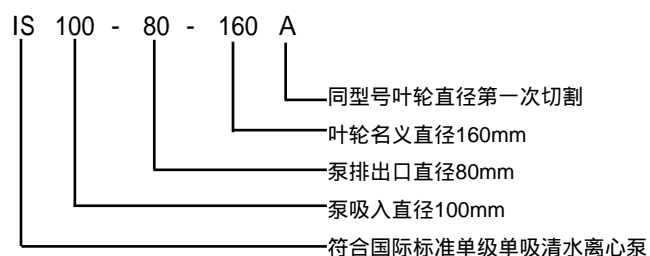
允许吸入管路压力0.3MPa，泵的最高使用压力1.6MPa。

## PERFORMANCE

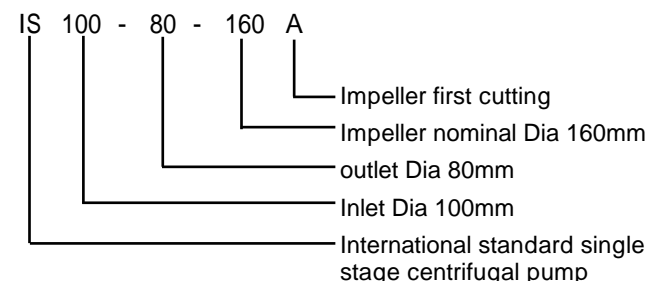
	2900rpm	1450rpm
Max. flow	240m <sup>3</sup> /h	400m <sup>3</sup> /h
Max. total head	125m	55m
Max. speed	3500rpm(smaller impeller for 60HZ)	
Max. working temperature	80	

Acceptable suction pipeline pressure to be 0.3Mpa, pump pressure to be 1.6Mpa at highest.

## 型号意义说明



## MODEL DESIGNATION

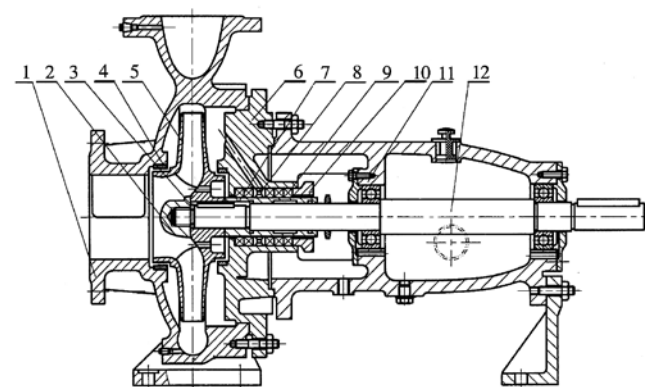


## 结构说明

本泵为后开式，拆开泵盖和叶轮时不需拆卸吸水和排出管路。悬架内装有两个滚珠轴承，用机器油或润滑脂润滑。泵通过弹性联轴器由电动机直接驱动。蜗室、脚、进水法兰和出水法兰铸成一个整体。

## CONSTRUCTION DETAILS:

The pump is back-pull-out design, which allows disassembling the casing cover and impeller without removing the suction and discharge pipeline. There are two roller bearings in the bearing housing, they are oil or grease lubrication. The pump and motor are connected with flexible couplings. The casing, support feet, suction and discharge flanges are casted together.



- |                  |                                      |
|------------------|--------------------------------------|
| 1、 泵体            | 1. casing                            |
| 2、 叶轮螺母          | 2. impeller nut                      |
| 3、 止动垫圈          | 3. lock washer                       |
| 4、 密封环           | 4. wear ring                         |
| 5、 叶轮            | 5. impeller                          |
| 6、 泵盖            | 6. casing cover                      |
| 7、 轴套            | 7. shaft sleeve                      |
| 8、 填料环(装机械密封无此环) | 8. packing ring                      |
| 9、 填料(或机械密封)     | 9. packing or mechanical seal        |
| 10、 填料或机械密封压盖    | 10. packing or mechanical seal cover |
| 11、 悬架轴承部件       | 11. bearing components               |
| 12、 轴            | 12. shaft                            |

性能表 PERFORMANCE TABLE

380V 50/60HZ 2900/3450 r/min

型号 Type	流量 Capacity		扬程 Head m	效率 Efficiency (%)	功率 Power(kW)		必需汽 蚀余量 (NPSH) <sub>r</sub> (m)	泵口径 Bore(mm)		吐出锥 管口径 (mm) Discharge Conic Pipe Dia	总重 Total Weight (kg)
	m <sup>3</sup> /h	l/s			轴功率 Shaft	配用功率 Engine		进 Inlet	出 outlet		
IS50-32-125	7.5 12.5 15	2.08 3.47 4.17	22 20 18.5	47 60 60	0.96 1.13 1.26	2.2	2.0 2.0 2.5	50	32	50	106
IS50-32-125A	7 11.2 13.5	1.94 3.11 3.75	18 16 14	44 57 56	0.77 0.86 0.92	1.5	2.0 2.0 2.5	50	32	50	94
IS50-32-125B	6.2 10.4 12.5	1.73 2.88 3.46	15.2 13.5 12.5	44 54 53	0.56 0.72 0.80	1.1	2.0 2.0 2.5	50	32	50	92
IS50-32-160	7.5 12.5 15	2.08 3.47 4.17	34 32 29	44 54 56	1.59 2.02 2.16	3	2.0 2.0 2.5	50	32	50	123
IS50-32-160A	7 11.8 14	1.94 3.28 3.89	30.3 28.0 26.0	42 51.7 53.3	1.37 1.74 1.86	2.2	2.0 2.0 2.5	50	32	50	114
IS50-32-160B	6.5 10.8 13.0	1.8 3.0 3.6	25.8 24 22.2	43 53 55	1.06 1.34 1.43	1.5	2.0 2.0 2.5	50	32	50	102
IS50-32-200	7.5 12.5 15	2.08 3.47 4.17	52.5 50.0 48.0	38 48 51	2.82 3.54 3.95	5.5	2.0 2.0 2.5	50	32	50	174
IS50-32-200A	7.2 12 14.4	1.99 3.33 4	47.3 45 43.2	37 47 48.4	2.49 3.13 3.5	4	2.0 2.0 2.5	50	32	50	139
IS50-32-200B	6.5 10.8 13	1.81 3.0 3.61	39.8 38 36.4	37 47 48	1.91 2.39 2.68	3	2.0 2.0 2.5	50	32	50	130
IS50-32-250	7.5 12.5 15	2.08 3.47 4.17	82 80 78.5	28.5 38 41	5.87 7.16 7.83	11	2.0 2.0 2.5	50	32	50	278
IS50-32-250A	7 11.7 14	1.94 3.25 3.89	71.8 70 68.8	28 37 40	4.9 6.03 6.58	7.5	2.0 2.0 2.5	50	32	50	196
IS50-32-250B	6.5 10.8 13	1.8 3.0 3.61	61.5 60 58.8	28 37 40	3.88 4.9 5.15	5.5	2.0 2.0 2.5	50	32	50	186
IS65-50-125	15 25 30	4.17 6.94 8.33	21.8 20.0 18.5	58 69 68	1.54 1.97 2.22	3	2.0 2.0 2.5	65	50	65	115
IS65-50-125A	14 23.8 28	3.89 6.61 7.78	19.2 17.6 16.2	54.6 66.7 64.0	1.34 1.71 1.93	2.2	2.0 2.5 3.0	65	50	65	107
IS65-50-125B	11.5 19 22	3.23 5.24 6.28	12.5 11.5 10.5	45 55 52	0.78 1.08 1.24	1.5	2.0 2.5 3.0	65	50	65	105
IS65-50-160	15 25 30	4.17 6.94 8.33	35 32 30	54 65 66	2.65 3.35 3.71	5.5	2.0 2.5 3.0	65	50	65	168
IS65-50-160A	14 23.4 28	3.89 6.5 7.78	30.5 28 26	52 64 63.3	2.24 2.78 3.13	4	2.0 2.0 2.5	65	50	65	137
IS65-50-160B	13 21.7 26	3.61 6.02 7.22	26.3 24 22.5	44 64 65	2.12 2.22 2.45	3	2.0 2.0 2.5	65	50	65	127
IS65-40-200	15 25 30	4.17 6.94 8.33	53 50 47	49 60 64	4.42 5.67 6.29	7.5	2.0 2.0 2.5	65	40	65	179
IS65-40-200A	14 23.4 28	3.88 6.5 7.77	46.5 44 41	49 60 61	2.2 4.6 5.14	5.5	2.0 2.0 2.5	65	40	65	174
IS65-40-200B	12.6 21 24.1	3.5 5.83 6.69	37 35.3 33	47.5 58 59	2.67 3.48 3.67	4	2.0 2.0 2.5	65	40	65	138
IS65-40-250	15 25 30	4.2 6.9 8.3	82 80 78	37 50 53	9.05 10.89 12.02	15	2.0 2.0 2.5	65	40	65	313
IS65-40-250A	14 23.4 28	3.9 6.5 7.8	72 70 68	36 49 52	7.65 9.1 10.0	11	2.0 2.0 2.5	65	40	65	298

性能表 PERFORMANCE TABLE

380V 50/60Hz 2900/3450 r/min

型号 Type	流量 Capacity		扬程 Head m	效率 Efficiency (%)	功率 Power(kW)		必需汽 蚀余量 (NPSH) <sub>r</sub> (m)	泵口径 Bore(mm)		吐出锥 管口径 (mm) Discharge Conic Pipe Dia	总重 Total Weight (kg)
	m <sup>3</sup> /h	l/s			轴功率 Shaft	配用功率 Engine		进 Inlet	出 outlet		
IS65-40-250B	12.5	3.5	57	36.5	5.3	7.5	2.0	65	40	65	213
	21.0	5.8	56	49	6.5		2.0				
	24	6.7	54	52	7.1		2.5				
IS65-40-315	15	4.17	127	28	18.5	30	2.0	65	40	65	498
	25	6.94	125	40	21.3		2.0				
	30	8.33	123	44	22.8		2.5				
IS65-40-315A	14.3	3.97	116	28	16.2	22	2.5	65	40	65	387
	23.9	6.64	114	40	18.6		2.5				
	28.6	7.94	111	44	19.7		3.0				
IS65-40-315B	13.6	3.78	105	27	14.4	18.5	2.5	65	40	65	361
	22.7	6.31	103	39	16.3		2.5				
	27.2	7.56	101	43	17.4		3.0				
IS65-40-315C	13	3.61	93	27	12.2	15	2.5	65	40	65	338
	21.4	5.94	92	38.8	13.8		2.5				
	25.7	7.14	89	42.7	14.6		3.0				
IS80-65-125	30	8.33	22.5	64	2.87	5.5	3.0	80	65	80	164
	50	13.9	20	75	3.68		3.0				
	60	16.7	18	74	3.98		3.5				
IS80-65-125A	28	7.78	18.6	66.6	2.34	4	3.0	80	65	80	132
	46.7	12.9	16.6	72	2.96		3.0				
	56	15.5	14.9	70	3.25		3.5				
IS80-65-125B	24	6.66	13.8	58	1.56	3	2.5	80	65	80	129
	42	11.66	12.5	66	2.16		2.5				
	50	13.88	11.7	65	2.45		3.0				
IS80-65-160	30	8.33	36	61	4.82	7.5	2.5	80	65	80	179
	50	13.9	32	73	5.97		2.5				
	60	16.7	29	72	6.59		3.0				
IS80-65-160A	28	7.78	31.4	61	3.93	5.5	2.5	80	65	80	174
	46.8	13.0	28	73	4.9		2.5				
	56	15.6	25.3	72	5.4		3.0				
IS80-65-160B	25	6.94	25	60	2.83	4	2.5	80	65	80	138
	42	11.7	22	72	3.49		2.5				
	50	13.9	20	71	3.84		3.0				
IS80-50-200	30	8.33	53	55	7.87	15	2.5	80	50	80	247
	50	13.9	50	69	9.87		2.5				
	60	16.7	47	71	10.8		3.0				
IS80-50-200A	28	7.78	47	54	6.66	11	2.5	80	50	80	239
	46.8	13.0	44	68	8.25		2.5				
	56.4	15.7	41	70	9.0		3.0				
IS80-50-200B	26	7.22	40	54	5.27	7.5	2.5	80	50	80	189
	43.3	12.0	38	68	6.6		2.5				
	52.4	14.6	36	70	7.33		3.0				
IS80-50-250	30	8.33	84	52	13.2	22	2.5	80	50	80	369
	50	13.9	80	63	17.3		2.5				
	60	16.7	75	64	19.2		3.0				
IS80-50-250A	28	7.78	73	51	10.9	18.5	2.5	80	50	80	336
	46.8	13.0	70	61	14.6		2.5				
	56	15.7	65	61.7	16.0		3.0				
IS80-50-250B	26	7.22	62.7	49.4	8.98	15	2.5	80	50	80	321
	43.3	12.0	60	60	11.8		2.5				
	52	14.4	56	60.8	13.0		3.0				
IS80-50-315	30	8.33	128	41	25.5	37	2.5	80	50	80	517
	50	13.9	125	54	31.5		2.5				
	60	16.7	123	57	35.3		3.0				
IS80-50-315A	28.6	7.94	117	40	22.8	37	2.5	80	50	80	517
	47.7	13.3	114	53	28.0		2.5				
	57.5	16.0	112	56	31.3		3.0				
IS80-50-315B	27	7.5	106	40	19.6	30	2.5	80	50	80	500
	45.4	12.6	103	52	24.5		2.5				
	54.5	15.1	101	55	27.3		3.0				
IS80-50-315C	25	6.94	91	39.5	15.7	22	2.5	80	50	80	404
	42	11.7	88.5	51.5	19.7		2.5				
	50	13.9	87	54.5	21.8		3.0				
IS100-80-125	60	16.7	24	67	5.86	11	4.0	100	80	100	233
	100	27.8	20	78	7.00		4.5				
	120	33.3	16.5	74	7.28		5.0				
IS100-80-125A	56	15.6	20.3	64.8	4.79	7.5	4.0	100	80	100	184
	93.5	26.0	17	75.6	5.73		4.5				
	112	31.1	14	71.7	5.95		4.5				

性能表 PERFORMANCE TABLE

380V 50/60Hz 2900/3450 r/min

型号 Type	流量 Capacity		扬程 Head m	效率 Efficiency (%)	功率 Power(kW)		必需汽 蚀余量 (NPSH) r (m)	泵口径 Bore(mm)		吐出锥 管口径 (mm) Discharge Conic Pipe Dia	总重 Total Weight (kg)
	m <sup>3</sup> /h	l/s			轴功率 Shaft	配用功率 Engine		进 Inlet	出 outlet		
IS100-80-125B	50 85 102	13.88 23.61 48.33	14 12.5 10.5	60 70 65	3.17 4.13 4.48	5.5	4.0 4.5 4.5	100	80	100	170
IS100-80-160	60 100 120	16.7 27.8 33.8	36 32 28	70 78 75	8.42 11.2 12.2	15	3.5 4.0 5.0	100	80	100	295
IS100-80-160A	56 93.5 114	15.6 26.0 31.7	31.5 28 24.5	69 77 74	6.99 9.27 10.3	11	3.5 4.0 5.0	100	80	100	286
IS100-80-160B	49.7 82.4 100	13.8 22.9 27.8	24.4 21.7 19	68 76 73	4.8 6.4 7.0	7.5	3.5 4.0 5.0	100	80	100	236
IS100-65-200	60 100 120	16.7 27.8 33.3	54 50 47	65 76 77	13.6 17.9 19.9	22	3.0 3.6 4.8	100	65	100	339
IS100-65-200A	56.5 93.5 112.7	15.7 26.0 31.3	47.5 44 41.4	65 76 77	11.27 14.75 16.47	18.5	3.0 3.6 4.8	100	65	100	314
IS100-65-200B	52.4 86.6 104.4	14.6 24.1 29.0	41 38 36	64 75 76	9.14 12.0 13.5	15	3.0 3.6 4.8	100	65	100	298
IS100-65-250	60 100 120	16.7 27.8 33.3	87 80 74.5	61 72 73	23.4 30.3 33.3	37	3.0 3.8 4.8	100	65	100	493
IS100-65-250A	56.2 93.5 112.1	15.6 26.0 31.1	76 70 65	61 72 73	19.1 24.8 27.2	30	3.0 3.8 4.8	100	65	100	477
IS100-65-250B	51.1 85.3 102.2	14.2 23.7 28.4	63.3 58.2 54.2	60 71 72	14.5 18.8 20.7	22	3.5 4.0 5.0	100	65	100	380
IS100-65-315	60 100 120	16.7 27.8 33.3	133 125 108	55 66 67	39.6 51.6 57.5	75	3.0 3.6 4.2	100	65	100	897
IS100-65-315A	57.5 95.5 114.5	16.0 26.5 31.8	121 114 118	55 66 67	34.4 45.0 50.3	55	3.0 3.6 4.2	100	65	100	755
IS100-65-315B	54.6 90.8 108.7	15.2 25.2 30.2	110 103 97	54 65 66	30.3 39.3 43.6	45	3.0 3.6 4.2	100	65	100	692
IS100-65-315C	51.6 85.8 92	14.3 23.8 25.6	98 92 87	53 64 65	26.0 33.5 33.6	37	3.0 3.6 4.2	100	65	100	590
IS125-100-200	120 200 240	33.3 55.5 66.7	57.5 50.0 44.5	67 81 80	28.0 33.6 36.4	45	4.5 4.5 5.0	125	100	125	542
IS125-100-200A	112 187 225	31.1 51.4 62.5	50.5 44 39	67 81 80	23.0 27.7 29.9	37	4.5 4.5 5.0	125	100	125	493
IS125-100-200B	99 165 198	27.5 45.8 55.0	39.3 34.1 30.4	66 80 79	15.8 19.0 20.5	22	4.5 4.5 5.0	125	100	125	380
IS125-100-250	120 200 240	33.3 55.6 66.7	87 80 72	66 78 75	43.0 55.9 62.8	75	3.8 4.2 5.0	125	100	125	907
IS125-100-250A	112 187 225	31.1 51.9 62.5	76 70 63	66 78 75	35.1 45.8 51.4	55	3.8 4.2 5.0	125	100	125	736
IS125-100-250B	104 173 208	28.9 48.1 57.8	65 60 54	65 60 54	28.3 36.8 41.4	45	3.8 4.2 5.0	125	100	125	673
IS125-100-250C	96 160 192	26.7 44.4 53.3	53.5 49 44	62.4 73.5 70.5	22.4 29.0 32.6	37	3.8 4.2 5.0	125	100	125	572
IS125-100-315	120 200 240	33.3 55.6 66.7	132.5 125 120	60 75 77	72.1 90.8 101.9	110	4.0 4.5 5.0	125	100	125	1244
IS125-100-315A	114 191 229	31.7 53.1 63.6	121 114 109	60 75 77	62.9 79.1 88.2	110	4.0 4.5 5.0	125	100	125	1244

性能表 PERFORMANCE TABLE

380V 50/60Hz 2900/3450 r/min

型号 Type	流量 Capacity		扬程 Head m	效率 Efficiency (%)	功率 Power(kW)		必需汽 蚀余量 (NPSH) r (m)	泵口径 Bore(mm)		吐出锥 管口径 (mm) Discharge Conic Pipe Dia	总重 Total Weight (kg)
	m <sup>3</sup> /h	l/s			轴功率 Shaft	配用功率 Engine		进 Inlet	出 outlet		
IS125-100-315B	108.9	30.3	109	59	54.8	90	4.0	125	100	125	1007
	181.6	50.4	103	74	68.9		4.5				
	218.2	60.6	99	76	77.4		5.0				
IS125-100-315C	102.9	28.6	98	58	47.3	75	4.0	125	100	125	919
	171.6	47.7	92	73	58.9		4.5				
	206	57.2	88	75	65.8		5.0				
IS125-100-160	96	26.7	37	69	14.0	22	5.0	125	100	125	326
	160	44.4	32	79	17.7		5.6				
	192	53.3	27	75	18.8		6.2				
IS125-100-160A	89	24.7	32	67	11.58	18.5	5.0	125	100	125	297
	148.8	41.3	28	77	14.74		5.6				
	178	49.4	23	73	15.27		6.2				
IS125-100-210	96	26.7	56.5	69	21.4	37	4.5	125	100	125	432
	160	44.4	50	79	27.6		5.2				
	192	53.3	45	78	30.2		5.7				
IS125-100-210A	89	24.7	47	68	17.01	30	4.5	125	100	125	415
	148.8	41.3	44	78	22.85		5.2				
	178	49.4	40	76	24.86		5.7				
IS125-100-210B	82	22.7	41	66	13.27	22	4.5	125	100	125	348
	138	38.3	38	76	18.79		5.2				
	165	45.8	33	74	20.03		5.7				
IS125-100-260	96	26.7	89	65	35.8	55	4.8	125	100	125	860
	160	44.4	80	77	45.3		4.8				
	192	53.3	72	74	50.7		5.0				
IS125-100-260A	90	22	76	64	29.1	45	4.8	125	100	125	536
	152	42.2	70	76	38.21		4.8				
	182	50.5	62	73	42.09		5.0				
IS125-100-260B	82	22.7	66	62	23.77	37	4.8	125	100	125	458
	138	38.3	60	73	30.89		4.8				
	165	45.8	52	70	33.38		5.0				
IS125-100-320	96	26.7	133	58	60	90	4.5	125	100	125	915
	160	44.4	129	73	74.6		4.5				
	192	53.3	119	72	85.2		5.0				
IS125-100-320A	87	24.2	112	56	47.38	75	4.5	125	100	125	820
	145	40.3	105	71	58.40		4.5				
	174	48.3	100	71	66.74		5.0				
IS125-100-320B	80	22.2	95	55	37.63	55	4.5	125	100	125	687
	135	37.5	90	70	47.26		4.5				
	162	45.0	85	70	52.31		5.0				

380V 50/60Hz 1450/1725 r/min

型号 Type	流量 Capacity		扬程 Head m	效率 Efficiency (%)	功率 Power(kW)		必需汽 蚀余量 (NPSH) r (m)	泵口径 Bore(mm)		吐出锥 管口径 (mm) Discharge Conic Pipe Dia	总重 Total Weight (kg)
	m <sup>3</sup> /h	l/s			轴功率 Shaft	配用功率 Engine		进 Inlet	出 outlet		
IS50-32-125	3.75	1.04	5.4	43	0.13	0.55	2.0	50	32	50	90
	6.3	1.74	5.0	54	0.16		2.0				
	7.5	2.08	4.6	55	0.17		2.5				
IS50-32-160	3.75	1.04	8.5	35	0.25	0.55	2.0	50	32	50	97
	6.3	1.74	8.0	48	0.29		2.0				
	7.5	2.08	7.5	49	0.31		2.5				
IS50-32-200	3.75	1.04	13	33	0.41	0.75	2.0	50	32	50	105
	6.3	1.74	12.5	32	0.51		2.0				
	7.5	2.08	11	44	0.56		2.5				
IS50-32-200A	3.6	1.0	12	33	0.36	0.55	2.0	50	32	50	103
	6	1.67	11.5	42	0.46		2.0				
	7.2	2.0	11	44	0.49		2.5				



性能表 PERFORMANCE TABLE

型号 Type	流量 Capacity		扬程 Head m	效率 Efficiency (%)	功率 Power(kW)		必需汽 蚀余量 (NPSH) <sub>r</sub> (m)	泵口径 Bore(mm)		吐出锥 管口径 (mm) Discharge Conic Pipe Dia	总重 Total Weight (kg)
	m <sup>3</sup> /h	l/s			轴功率 Shaft	配用功率 Engine		进 Inlet	出 outlet		
IS50-32-250	3.75	1.04	20.5	23	0.91	1.5	2.0	50	32	50	143
	6.3	1.74	20	32	1.07		2.0				
	7.5	2.08	19.5	35	1.14		2.5				
IS50-32-250A	3.5	0.97	18	22	0.78	1.1	2.0	50	32	50	138
	5.9	1.63	17.5	30	0.93		2.0				
	7.0	1.94	17	33	0.98		2.5				
IS65-50-125	7.5	2.08	5.35	53	0.21	0.55	2.0	65	50	65	91
	12.5	3.74	5	64	0.27		2.0				
	15.0	4.17	4.70	65	0.30		2.5				
IS65-50-160	7.5	2.08	8.8	50	0.36	0.75	2.0	65	50	65	101
	12.5	3.47	8.0	50	0.45		2.0				
	15.0	4.17	7.2	60	0.49		2.5				
IS65-50-160A	7.0	1.94	7.7	49	0.30	0.55	2.0	65	50	65	100
	11.7	3.25	7.0	58.7	0.38		2.0				
	14.0	3.89	6.3	58.6	0.41		2.5				
IS65-40-200	7.5	2.08	13.2	43	0.63	1.1	2.0	65	40	65	118
	12.5	3.47	12.5	55	0.77		2.0				
	15.0	4.17	11.8	57	0.85		2.5				
IS65-40-200A	7.0	1.94	11.6	43	0.52	0.75	2.0	65	40	65	113
	11.7	3.25	11.0	55	0.64		2.0				
	14.0	3.89	10.0	57	0.67		2.5				
IS65-40-250	7.5	2.08	21	35	1.23	2.2	2.0	65	40	65	176
	12.5	3.47	20	46	1.48		2.0				
	15.0	4.17	19.4	48	1.65		2.5				
IS65-40-250A	7.0	1.94	18	34	1.00	1.5	2.0	65	40	65	170
	11.7	3.25	17.5	45	1.24		2.0				
	14.0	3.89	16.9	47	1.37		2.5				
IS65-40-315	7.5	2.08	32.3	25	2.63	4	2.5	65	40	65	199
	12.5	3.47	32.0	37	2.94		2.5				
	15.0	4.17	31.7	41	3.16		3.0				
IS65-40-315A	7.2	2.0	29.5	25	2.3	3	2.5	65	40	65	187
	11.7	3.31	28.5	37	2.5		2.5				
	14.3	3.97	28.0	41	2.66		3.0				
IS65-40-315B	6.5	1.8	24.5	24.7	1.75	2.2	2.5	65	40	65	199
	10.8	3.0	24.0	36	1.96		2.5				
	13.0	3.6	23.8	40	2.1		3.0				
IS80-65-125	15	4.17	5.6	55	0.42	0.75	2.5	80	65	80	96
	25	6.94	5.0	71	0.48		2.5				
	30	8.33	4.5	72	0.51		3.0				
IS80-65-125A	14.0	3.89	4.8	54	0.34	0.55	2.5	80	65	80	95
	23.4	6.50	4.3	70	0.39		2.5				
	28.0	7.78	3.9	71	0.42		3.0				
IS80-65-160	15	4.17	9.0	55	0.67	1.5	2.5	80	65	80	124
	25	6.94	8.0	69	0.79		2.5				
	30	8.33	7.2	68	0.86		3.0				
IS80-65-160A	14.0	3.89	7.9	55	0.55	1.1	2.5	80	65	80	118
	23.4	6.50	7.0	69	0.65		2.5				
	28.0	7.78	6.3	68	0.71		3.0				
IS80-50-200	15	4.17	13.2	51	1.06	2.2	2.5	80	50	80	139
	25	6.94	12.5	65	1.31		2.5				
	30	8.33	11.8	67	1.44		3.0				
IS80-50-200A	14	3.89	11.6	50	0.89	1.5	2.5	80	50	80	134
	23.4	6.5	11.0	64	1.1		2.5				
	28	7.78	10.4	66	1.2		3.0				
IS80-50-250	15	4.17	21	49	1.75	3	2.5	80	50	80	188
	25	6.94	20	60	2.27		2.5				
	30	8.33	18.8	61	2.52		3.0				
IS80-50-250A	14	3.89	18.4	49	1.44	2.2	2.5	80	50	80	180
	23.4	6.5	17.5	60	1.86		2.5				
	28	7.78	16.4	61	2.06		3.0				
IS80-50-315	15	4.17	32.5	39	3.4	5.5	2.5	80	50	80	25
	25	4.94	32	52	4.19		2.5				
	30	8.33	31.5	56	4.6		3.0				
IS80-50-315A	14.3	3.97	29.8	38	3.06	5.5	2.5	80	50	80	250
	23.8	6.61	28.5	51	3.72		2.5				
	28.7	7.97	27.8	55	2.78		3.0				
IS80-50-315B	13.6	3.77	26.5	38	2.54	4	2.5	80	50	80	223
	22.7	6.3	25.8	51	3.13		2.5				
	27.2	7.56	25.2	55	3.45		3.0				

性能表 PERFORMANCE TABLE

380V 50/60Hz 1450/1725 r/min

型号 Type	流量 Capacity		扬程 Head m	效率 Efficiency (%)	功率 Power(kW)		必需汽 蚀余量 (NPSH) r (m)	泵口径 Bore(mm)		吐出锥 管口径 (mm) Discharge Conic Pipe Dia	总重 Total Weight (kg)
	m <sup>3</sup> /h	l/s			轴功率 Shaft	配用功率 Engine		进 Inlet	出 outlet		
IS100-80-125	30	8.33	6	64	0.77	1.5	2.5	100	80	100	128
	50	13.9	5	75	0.91		2.5				
	60	16.7	4	71	0.92		3.0				
IS100-80-125A	28	7.8	5	60.7	0.63	1.1	2.0	100	80	100	122
	46.8	13.0	5	69	0.74		2.5				
	56	15.6	3.2	65	0.75		3.0				
IS100-80-160	30	8.33	9.2	67	1.12	2.2	2.5	100	80	100	164
	50	13.9	8.0	75	1.45		2.5				
	60	16.7	6.8	71	1.57		3.0				
IS100-80-160A	28	7.78	8	66	0.93	1.5	2.0	100	80	100	158
	46.8	13.0	7	74	1.21		2.5				
	56	15.6	6	70	1.31		3.0				
IS100-65-200	30	8.33	13.3	60	1.84	4	2.0	100	65	100	183
	50	13.9	12.5	73	2.33		2.0				
	60	16.7	11.8	74	2.61		2.5				
IS100-65-200A	28.2	7.83	11.9	60	1.52	3	2.0	100	65	100	174
	46.8	13.0	11.0	73	1.92		2.0				
	56.4	15.7	10.4	74	2.16		2.5				
IS100-65-250	30	8.33	21.3	55	3.16	5.5	2.0	100	65	100	238
	50	13.9	20	68	4		2.0				
	60	16.7	19	70	4.44		2.5				
IS100-65-250A	28	7.78	18.6	55	1.62	4	2.0	100	65	100	218
	46.8	13.0	17.5	68	3.28		2.0				
	56.23	15.6	16.6	70	3.63		2.5				
IS100-65-315	30	8.33	34	51	5.44	11	2.0	100	65	100	408
	50	13.9	32	63	6.92		2.0				
	60	16.7	30	64	7.67		2.5				
IS100-65-315A	28.7	7.97	29.8	51	3.06	7.5	2.0	100	65	100	369
	47.7	13.1	28.5	63	3.72		2.0				
	57.5	16.0	27.8	64	2.78		2.5				
IS100-65-315B	27.2	7.56	28	50	4.15	7.5	2.0	100	65	100	355
	45.4	12.6	25.8	62	5.27		2.0				
	54.7	15.2	24.7	63	5.83		2.5				
IS100-65-315C	25.7	7.14	25	50	3.5	5.5	2.0	100	65	100	236
	42.9	11.9	23.5	61	4.5		2.0				
	51.6	14.3	22	62	5.0		2.5				
IS125-100-200	60	16.7	14.5	62	3.83	7.5	2.5	125	100	125	250
	100	27.8	12.5	76	4.48		2.5				
	120	33.3	11.0	75	4.79		3.0				
IS125-100-200A	56	15.6	12.8	62	3.17	5.5	2.5	125	100	125	236
	93.5	26.0	11.0	76	3.7		2.5				
	112	31.1	9.7	75	3.96		3.0				
IS125-100-200B	52.7	14.64	11	58.7	2.68	4	2.5	125	100	125	218
	88	24.44	9.5	72	3.15		2.5				
	105.4	29.28	8.3	71	3.35		3.0				
IS125-100-250	60	16.7	21.5	63	5.59	11	2.5	125	100	125	394
	100	27.8	20.0	76	7.17		2.5				
	120	33.3	18.5	77	7.84		3.0				
IS125-100-250A	56	15.6	18.8	63	4.56	7.5	2.5	125	100	125	355
	93.5	26.0	17.5	76	5.87		2.5				
	112	31.1	16.2	77	6.41		3.0				
IS125-100-250B	52.2	14.5	16.2	62	3.7	5.5	2.5	125	100	125	341
	86.5	24.0	15.0	75	4.86		2.5				
	104	28.9	13.9	76	5.17		3.0				
IS125-100-315	60	16.7	33.5	58	9.4	15	2.5	125	100	125	452
	100	27.8	32.0	73	11.9		2.5				
	120	33.3	30.5	74	13.5		3.0				
IS125-100-315A	57.4	15.9	30.5	58	8.22	15	2.5	125	100	125	500
	95.5	26.5	28.5	73	10.33		2.5				
	114	31.7	27.8	74	11.7		3.0				
IS125-100-315B	54.6	15.2	27.7	57	7.23	11	2.5	125	100	125	410
	90.8	25.2	26.4	72	9.08		2.5				
	108.9	30.3	22.5	73	10.5		3.0				
IS125-100-315C	51.6	14.3	24.7	56	6.2	11	2.5	125	100	125	410
	85.8	23.8	23.5	71	7.8		2.5				
	103	28.6	22.5	72	8.75		3.0				
IS125-100-400	60	16.7	52.0	53	16.1	30	2.5	125	100	125	627
	100	27.8	50.0	65	21		2.5				
	120	33.3	48.5	67	23.6		3.0				



性能表 PERFORMANCE TABLE

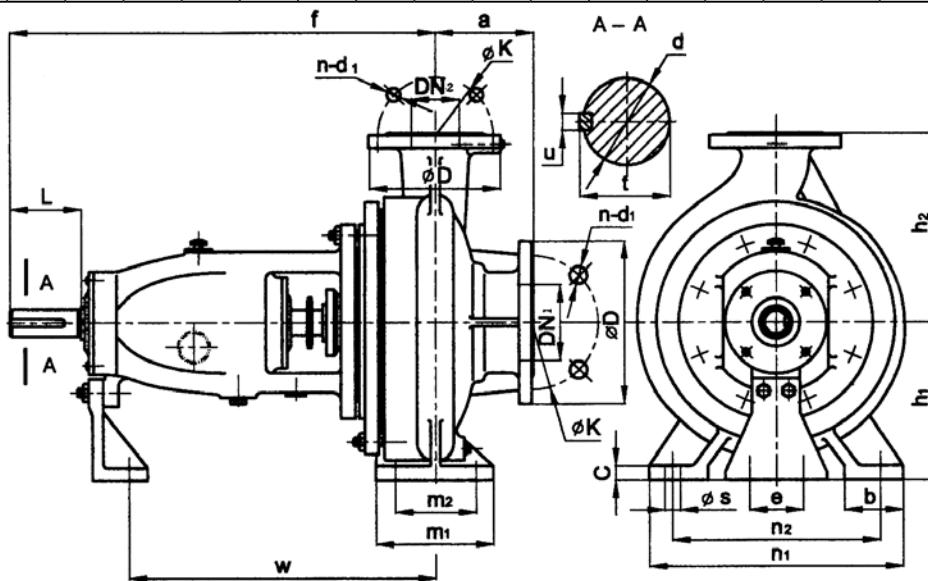
380V 50/60Hz 1450/1725 r/min

型号 Type	流量 Capacity		扬程 Head m	效率 Efficiency (%)	功率 Power(kW)		必需汽 蚀余量 (NPSH) <sub>r</sub> (m)	泵口径 Bore(mm)		吐出锥 管口径 (mm) Discharge Conic Pipe Dia	总重 Total Weight (kg)
	m <sup>3</sup> /h	l/s			轴功率 Shaft	配用功率 Engine		进 Inlet	出 outlet		
IS125-100-400A	56	15.6	46	53	13.2	22	2.5	125	100	125	588
	93.6	26.0	44	64	17.5		2.5				
	112.4	31.2	43	67	19.6		3.0				
IS125-100-400B	52.2	14.6	40.0	51	11.2	18.5	2.5	125	100	125	570
	88	24.4	38.4	62.8	14.6		2.5				
	105	29.2	37.2	65	16.4		3.0				
IS125-100-400C	49	13.6	35	50.7	9.2	15	2.5	125	100	125	536
	82	22.8	33	61.4	12		2.5				
	98	27.2	32	63	13.5		3.0				
IS150-125-250	120	33.3	22.5	71	10.4	18.5	3.0	150	125	150	427
	200	55.6	20.0	81	13.5		3.0				
	240	66.7	17.5	78	14.7		3.5				
IS150-125-250A	112	31.1	19.5	68	8.7	15	3.0	150	125	150	393
	187	51.9	17.0	77.9	11.3		3.0				
	224.6	62.2	15.7	75.3	12.3		3.5				
IS150-125-250B	103.8	28.8	17	70	6.9	11	3.0	150	125	150	351
	173	48.1	15	80	8.8		3.0				
	207.6	57.7	13	77	9.6		3.5				
IS150-125-315	120	33.3	34	70	15.86	30	3.3	150	125	150	603
	200	55.6	32	79	22.08		2.5				
	240	66.7	29	80	23.71		3.0				
IS150-125-315A	112.1	31.1	30	70	13.1	22	2.5	150	125	150	565
	187	51.9	28	79	18.1		2.5				
	224.6	62.4	25	80	19.1		3.0				
IS150-125-315B	104	28.9	25.5	60	10.5	18.5	2.5	150	125	150	546
	173	48.1	24.0	78	14.5		2.5				
	208	57.8	21.8	79	15.6		3.0				
IS150-125-400	120	33.3	53	62	27.9	45	2.0	150	125	150	725
	200	55.6	50	75	36.3		2.8				
	240	66.7	46	71	40.6		3.5				
IS150-125-400A	112	31.1	47	62	23.2	37	2.0	150	125	150	688
	187	51.9	44	75	30		2.8				
	225	62.5	40	74	33.1		3.5				
IS150-125-400B	104.6	29.1	40	61	18.7	30	2.0	150	125	150	649
	173	48.1	38	74	24.4		2.8				
	209.5	58.2	35	73	27.4		3.5				
IS200-150-250	240	66.7	22.6	70	21.1	37	3.6	200	150	200	661
	400	111.1	20.0	83	26.7		4.6				
	460	127.8	17.2	79	27.3		4.9				
IS200-150-250A	225	62.5	19.4	71	16.7	30	3.0	200	150	200	628
	374	103.9	17.5	82	21.8		3.5				
	431	119.7	15.6	78	23.5		4.0				
IS200-150-250B	308	57.8	16.6	70	13.4	22	3.0	200	150	200	588
	346	96.1	15	81	17.5		3.5				
	398	110.6	13.3	77	18.7		4.0				
IS200-150-315	240	66.7	37	70	34.6	55	3.0	200	150	200	917
	400	111.1	32	82	42.5		3.5				
	460	127.8	28.5	80	44.6		4.0				
IS200-150-315A	226	62.8	33	70	29	45	3.0	200	150	200	823
	374	103.9	28	82	35		3.5				
	432	120	25	80	41.6		4.0				
IS200-150-315B	210	58.3	27.5	67.4	23.3	37	3.0	200	150	200	788
	350	97.2	24	79	28.6		3.5				
	403	111.9	21.2	77.5	30		4.0				
IS200-150-315C	196	54.4	24	67.3	19	30	3.0	200	150	200	731
	327	90.8	20.7	78.7	23.4		3.5				
	376	104.4	18.4	76.8	24.5		4.0				
IS200-150-400	240	66.7	55	74	48.6	90	3.0	200	150	200	1060
	400	111.1	50	81	67.2		3.8				
	460	127.8	45	76	74.2		4.5				
IS200-150-400A	228	63.3	49	72.7	41.8	75	3.0	200	150	200	1045
	380	105.5	44.5	79.5	57.9		3.8				
	437	121.4	40	75.5	63.8		4.5				
IS200-150-400B	210	58.3	42	73	32.8	55	3.0	200	150	200	941
	340	96.1	38	80	45.1		3.8				
	401	111.1	34	76	48.9		4.5				
IS200-150-400C	194	53.8	34	69.5	25.8	45	3.0	200	150	200	842
	324	90	30.8	76.3	35.6		3.8				
	372	103.3	27.8	71.4	39.3		4.5				

## 水泵外形尺寸 Pump Dimension

单位:毫米 unit:(mm)

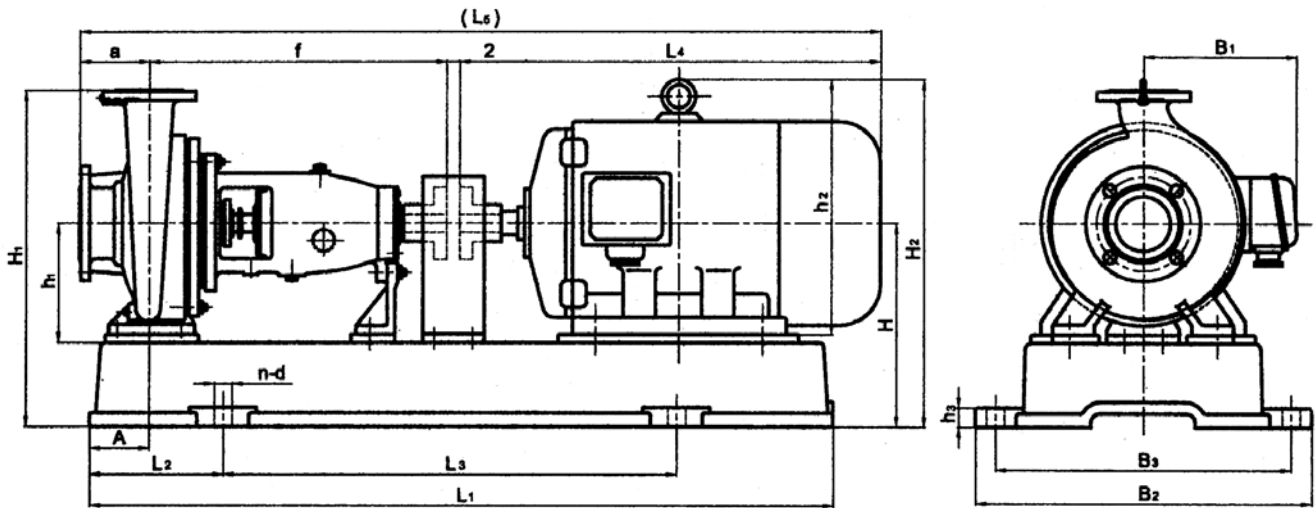
型号 Type	DN <sub>1</sub>	DN <sub>2</sub>	a	f	h <sub>1</sub>	h <sub>2</sub>	b	c	e	m <sub>1</sub>	m <sub>2</sub>	n <sub>1</sub>	n <sub>2</sub>	s	w	d	L	t	u	悬架 Bearing Housing	
IS50-32-125	50	32	80	385	112	140	50	14	110	100	70	190	140	14.5	285	24	50	27.3	8	25	
IS50-32-160					132	160						240	190								
IS50-32-200					160	180						240	190								
IS50-32-250			100	500	180	225	65	20		125	95	320	250		370	32	80	35.3	10	35	
IS65-50-125	65	50	80	385	112	140	50	14	110	100	70	210	160	14.5	285	24	50	27.3	8	25	
IS65-50-160					132	160						240	190								
IS65-40-200					160	180						265	212								
IS65-40-250			40	100	180	225	65	20		125	95	320	250		370	32	80		10	35	
IS65-40-315			125	500	200	250						345	280								
IS80-65-125	80	65	100	385	132	160	50	16	110	100	70	240	190	14.5	285	24	50	35.3	8	25	
IS80-65-160					160	200						265	212								
IS80-65-200					180	225						265	212								
IS80-50-250			50	125	180	225		20				320	250		370	32	80		10	35	
IS80-50-315					225	280						345	280								
IS100-80-125	100	80	100	385	160	180	65	16	100	125	95	280	212	18.5	285	24	50	27.3	8	25	
IS100-80-160					200							280	212								
IS100-65-200					500	180						225	320								250
IS100-65-250			65		200	250		25				360	280			32	80	35.3	10	35	
IS100-65-315					200	250						400	315			42	110	45.3	12	45	
IS125-100-200	125	100	140	530	200	280	80	20	110	160	120	360	280	18.5	370	32	80	37.3	10	35	
IS125-100-250					225							400	315								
IS125-100-315					250	315						400	315								
IS125-100-400					280		100			200	150	500	400	22							
IS150-125-250	150	125	140	530	250	355	80	25	110	100	120	400	315	18.5	42	110	45.3	12	45		
IS150-125-315					280							500	400								
IS150-125-400					315	400						500	400								
IS200-150-250	200	150	160	670	280	375	100	30	140	200	150	500	400	22	500	48	51.8	14	55		
IS200-150-315					400							550	450								
IS200-150-400					450							550	450								



法兰连接尺寸符合国家标准GB/T 17241.6 (一般用途管法兰连接尺寸)  
Flange sizes conform to national standard GB/T 17241.6

DN1DN2	32	40	50	65	80	100	125	150	200
D	140	150	165	185	200	220	250	285	340
K	100	110	125	145	160	180	210	240	295
n - d <sub>1</sub>	4 - 17.5	4 - 17.5	4 - 17.5	4 - 17.5	8 - 17.5	8 - 17.5	8 - 17.5	8 - 22	12 - 22

水泵机组外形图 PUMP SET DIMENSION DRAWING



注：均配有 Y 型电动机

水泵机组安装尺寸表 PUMP SET INSTALLATION DIMENSION TABLE

50/60Hz 2900/3450 r/min

单位：毫米 unit: (mm)

泵型号 Pump Type	电机座号 Motor Frame No.	A	a	f	L <sub>1</sub>	L <sub>2</sub>	L <sub>3</sub>	L <sub>4</sub>	L <sub>5</sub>	B <sub>1</sub>	B <sub>2</sub>	B <sub>3</sub>	h <sub>1</sub>	h <sub>2</sub>	h <sub>3</sub>	H	H <sub>1</sub>	H <sub>2</sub>	n-d
IS50-32-125	Y90L-2	80	80	390	790	170	490	355	827	155	390	350	112	190	25	187	327	287	4- 18.5
IS50-32-125A	Y90S-2	80	80	390	790	170	490	330	802	155	390	350	112	190	25	187	327	287	4- 18.5
IS50-32-125B	Y802-2	80	80	390	790	170	490	305	777	145	390	350	112	190	25	187	327	277	4- 18.5
IS50-32-160	Y100L-2	78.5	80	390	845	150	520	395	867	180	390	350	132	245	25	202	362	347	4- 20
IS50-32-160A	Y90L-2	80	80	390	790	170	490	355	827	155	390	350	132	190	20	187	347	287	4- 18.5
IS50-32-160B	Y90S-2	80	80	390	790	170	490	330	802	155	390	350	132	190	20	187	347	287	4- 18.5
IS50-32-200	Y132S1-2	78.5	80	390	845	150	520	480	952	210	390	350	160	315	25	230	410	413	4- 20
IS50-32-200A	Y112M-2	80	80	390	790	170	490	410	882	190	390	350	160	265	20	215	395	368	4- 18.5
IS50-32-200B	Y100L-2	80	80	390	790	170	490	395	867	180	390	350	160	245	20	215	395	360	4- 18.5
IS50-32-250	Y160M1-2	110	100	505	1170	225	740	628	1235	255	540	490	180	385	30	270	495	495	4- 24
IS50-32-250A	Y132S2-2	95	100	505	1050	210	630	480	1087	210	490	440	180	315	25	255	480	438	4- 24
IS50-32-250B	Y132S1-2	95	100	505	1050	210	630	480	1087	210	490	440	180	315	25	255	480	438	4- 24
IS65-50-125	Y100L-2	80	80	390	790	170	490	395	867	180	390	350	112	245	25	187	327	332	4- 18.5
IS65-50-125A	Y90L-2	80	80	390	790	170	490	355	827	155	390	350	112	190	25	187	327	287	4- 18.5
IS65-50-125B	Y90S-2	80	80	390	790	170	490	330	802	155	390	350	112	190	25	187	327	287	4- 18.5
IS65-50-160	Y132S1-2	65.5	80	390	822	150	520	480	952	210	390	350	132	315	25	202	362	385	4- 20
IS65-50-160A	Y112M-2	80	80	390	790	170	490	410	882	190	390	350	132	265	25	207	367	360	4- 18.5
IS65-50-160B	Y100L-2	80	80	390	790	170	490	395	867	180	390	350	132	245	25	207	367	352	4- 18.5
IS65-40-200	Y132S2-2	78.5	100	390	845	150	520	480	972	210	390	350	160	315	25	230	410	413	4- 20
IS65-40-200A	Y132S1-2	78.5	100	390	845	150	520	480	972	210	390	350	160	315	25	230	410	413	4- 20
IS65-40-200B	Y112M-2	80	100	390	790	170	490	410	902	190	390	350	160	265	20	215	395	368	4- 18.5
IS65-40-250	Y160M2-2	110	100	505	1170	225	740	628	1235	255	540	490	180	385	30	270	495	495	4- 24
IS65-40-250A	Y160M1-2	110	100	505	1170	225	740	628	1235	255	540	490	180	385	30	270	495	495	4- 24
IS65-40-250B	Y132S2-2	95	100	505	1050	210	630	480	1087	210	490	440	180	315	25	255	480	438	4- 24
IS65-40-315	Y200L1-2	115	125	505	1280	250	830	785	1417	305	610	550	200	475	30	330	580	605	4- 28
IS65-40-315A	Y180M-2	110	125	505	1170	225	740	715	1347	280	540	490	200	430	30	290	540	540	4- 24
IS65-40-315B	Y160L-2	95	125	505	1170	225	740	683	1315	255	540	490	200	385	30	290	540	515	4- 24
IS65-40-315C	Y160L2-2	95	125	505	1170	225	740	683	1260	255	540	490	200	385	30	290	540	515	4- 24
IS80-65-125	Y132S1-2	65.5	100	390	822	150	520	480	972	210	390	350	132	315	25	202	367	385	4- 20
IS80-65-125A	Y112M-2	80	100	390	790	170	490	410	902	190	390	350	132	265	25	207	367	360	4- 18.5
IS80-65-125B	Y100L-2	80	100	390	790	170	490	395	887	180	390	350	132	245	25	207	367	352	4- 18.5
IS80-65-160	Y132S2-2	78.5	100	390	845	150	520	480	972	210	390	350	160	315	25	230	410	413	4- 20
IS80-65-160A	Y132S1-2	78.5	100	390	845	150	520	480	972	210	390	350	160	315	25	230	410	413	4- 20
IS80-65-160B	Y112M-2	80	100	390	790	170	490	410	902	190	390	350	160	265	20	215	395	368	4- 18.5
IS80-50-200	Y160M2-2	110	100	390	1008	184	640	628	1120	255	460	420	160	385	30	270	470	495	4- 19
IS80-50-200A	Y160M1-2	110	100	390	1008	184	640	628	1120	255	460	420	160	385	30	270	470	495	4- 19
IS80-50-200B	Y132S2-2	78.5	100	390	845	150	520	480	972	210	390	350	160	315	25	230	430	413	4- 20
IS80-50-250	Y180M-2	95	125	505	1160	225	740	715	1347	280	540	490	180	430	30	270	495	520	4- 24
IS80-50-250A	Y160L-2	110	125	505	1170	225	740	683	1315	255	540	490	180	385	30	270	495	495	4- 24
IS80-50-250B	Y160M2-2	110	125	505	1170	225	740	628	1260	255	540	490	180	385	30	270	495	495	4- 24
IS80-50-315	Y200L2-2	115	125	505	1280	250	830	785	1417	305	610	550	225	475	30	355	638	630	4- 28
IS80-50-315A	Y200L2-2	115	125	505	1280	250	830	785	1417	305	610	550	225	475	30	355	638	630	4- 28

## IS 型单级单吸清水离心泵 IS SINGLE STAGE CENTRIFUGAL PUMP

11

水泵机组安装尺寸表 PUMP SET INSTALLATION DIMENSION TABLE

50/60Hz 2900/3450 r/min

单位：毫米 unit: (mm)

泵型号 Pump Type	电机座号 Motor Frame No.	A	a	f	L <sub>1</sub>	L <sub>2</sub>	L <sub>3</sub>	L <sub>4</sub>	L <sub>5</sub>	B <sub>1</sub>	B <sub>2</sub>	B <sub>3</sub>	h <sub>1</sub>	h <sub>2</sub>	h <sub>3</sub>	H	H <sub>1</sub>	H <sub>2</sub>	n-d
IS80-50-315B	Y200L1-2	115	125	505	1280	250	830	785	1417	305	610	550	225	475	30	355	638	630	4-28
IS80-50-315C	Y180M-2	95	125	505	1170	225	740	715	1347	280	540	490	225	430	30	315	598	565	4-24
IS100-80-125	Y160M1-2	110	100	390	1008	184	640	628	1120	255	460	420	160	385	30	270	450	495	4-19
IS100-80-125A	Y132S2-2	78.5	100	390	845	150	520	480	972	210	390	350	160	315	25	230	410	413	4-20
IS100-80-125B	Y132S1-2	78.5	100	390	845	150	520	480	972	210	390	350	160	315	25	230	410	413	4-20
IS100-80-160	Y160M2-2	95	100	505	1160	225	740	628	1235	255	540	490	160	385	30	250	450	475	4-24
IS100-80-160A	Y160M1-2	95	100	505	1160	225	740	628	1235	255	540	490	160	385	30	250	450	475	4-24
IS100-80-160B	Y132S2-2	95	100	505	1050	210	630	480	1087	210	490	440	160	315	25	235	435	418	4-24
IS100-65-200	Y180M-2	95	100	505	1160	225	740	715	1322	280	540	490	180	430	30	270	495	520	4-24
IS100-65-200A	Y160L-2	110	100	505	1170	225	740	683	1290	255	540	490	180	385	30	270	495	495	4-24
IS100-65-200B	Y160M2-2	110	100	505	1170	225	740	628	1235	255	540	490	180	385	30	270	495	495	4-24
IS100-65-250	Y200L2-2	115	125	505	1280	250	830	785	1417	305	610	550	200	475	30	330	580	605	4-28
IS100-65-250A	Y200L1-2	115	125	505	1280	250	830	785	1417	305	610	550	200	475	30	330	580	605	4-28
IS100-65-250B	Y180M-2	110	125	505	1170	225	740	715	1347	280	540	490	200	430	30	290	540	540	4-24
IS100-65-315	Y280S-2	110	125	530	1600	320	1070	985	1642	410	800	740	225	640	40	425	705	775	4-28
IS100-65-315A	Y250M-2	110	125	535	1420	290	870	930	1592	370	660	600	225	575	40	375	655	700	4-28
IS100-65-315B	Y225M-2	115	125	535	1280	250	830	835	1497	335	610	550	225	530	30	355	635	660	4-28
IS100-65-315C	Y200L2-2	115	125	535	1280	250	830	785	1447	305	610	550	225	475	30	355	635	630	4-28
IS125-100-200	Y225M-2	110	125	505	1420	290	870	835	1467	335	660	600	200	530	40	350	630	655	4-28
IS125-100-200A	Y200L2-2	115	125	505	1280	250	830	785	1417	305	610	550	200	475	30	330	610	605	4-28
IS125-100-200B	Y180M-2	95	125	505	1170	225	740	715	1347	280	540	490	200	430	30	290	570	565	4-24
IS125-100-250	Y280S-2	110	140	530	1600	320	1070	985	1657	410	800	740	225	640	40	425	705	775	4-28
IS125-100-250A	Y250M-2	110	140	535	1420	290	870	930	1607	370	660	600	225	575	40	375	655	700	4-28
IS125-100-250B	Y225M-2	115	140	535	1280	250	830	835	1512	335	610	550	225	530	30	355	635	660	4-28
IS125-100-250C	Y200L2-2	115	140	535	1280	250	830	785	1462	305	610	550	225	475	30	355	635	630	4-28
IS125-100-315	Y315S-2	110	140	530	1600	320	1070	1190	1862	530	800	740	250	865	40	450	765	1000	4-28
IS125-100-315A	Y315S-2	110	140	530	1600	320	1070	1190	1862	530	800	740	250	865	40	450	765	1000	4-28
IS125-100-315B	Y280M-2	110	140	530	1540	320	1070	1035	1707	410	730	670	250	640	40	400	715	760	4-28
IS125-100-315C	Y280S-2	110	140	530	1540	320	1070	985	1657	410	730	670	250	640	40	400	715	760	4-28
IS125-100-160	Y180M-2	95	125	505	1160	225	740	715	1347	280	540	490	180	430	30	270	495	520	4-28
IS125-100-160A	Y160L-2	110	125	505	1170	225	740	683	1315	255	540	490	180	385	30	270	495	495	4-28
IS125-100-210	Y200L2-2	115	125	505	1280	250	830	785	1417	305	610	550	200	475	30	330	610	605	4-28
IS125-100-210A	Y200L1-2	115	125	505	1280	250	830	785	1417	305	610	550	200	475	30	330	610	605	4-28
IS125-100-210B	Y180M-2	95	125	505	1170	225	740	715	1347	280	540	490	200	430	30	290	570	565	4-28
IS125-100-260	Y250M-2	110	140	535	1420	290	870	930	1607	370	660	600	225	575	40	375	655	700	4-28
IS125-100-260A	Y225M-2	115	140	535	1280	250	830	835	1512	335	610	550	225	530	30	355	635	660	4-28
IS125-100-260B	Y200L2-2	115	140	535	1280	250	830	785	1462	305	610	550	225	475	30	355	635	630	4-28
IS125-100-320	Y280M-2	110	140	530	1540	320	1070	1035	1707	410	730	670	250	640	40	400	715	760	4-28
IS125-100-320A	Y280S-2	110	140	530	1540	320	1070	985	1657	410	730	670	250	640	40	400	715	760	4-28
IS125-100-320B	Y250M-2	110	140	530	1420	290	870	930	1607	370	660	600	250	575	40	400	715	725	4-28

50/60Hz 1450/1725 r/min

单位：毫米 unit: (mm)

泵型号 Pump Type	电机座号 Motor Frame No.	A	a	f	L <sub>1</sub>	L <sub>2</sub>	L <sub>3</sub>	L <sub>4</sub>	L <sub>5</sub>	B <sub>1</sub>	B <sub>2</sub>	B <sub>3</sub>	h <sub>1</sub>	h <sub>2</sub>	h <sub>3</sub>	H	H <sub>1</sub>	H <sub>2</sub>	n-d
IS50-32-125	Y801-4	80	80	390	790	170	490	305	777	145	390	350	112	170	25	187	327	277	4-18.5
IS50-32-160	Y801-4	80	80	390	790	170	490	305	777	145	390	350	132	170	20	187	347	288	4-18.5
IS50-32-200	Y802-4	80	80	390	790	170	490	305	777	145	390	350	160	170	20	215	395	305	4-18.5
IS50-32-200A	Y801-4	80	80	390	790	170	490	305	777	145	390	350	160	170	20	215	395	305	4-18.5
IS50-32-250	Y90L-4	95	100	505	916	190	570	355	962	155	470	420	180	190	25	255	480	355	4-24
IS50-32-250A	Y90S-4	95	80	505	916	190	570	330	937	155	470	420	180	190	25	255	480	355	4-24
IS65-50-125	Y801-4	80	80	390	790	170	490	305	777	145	390	350	112	170	25	187	327	277	4-18.5
IS65-50-160	Y802-4	80	80	390	790	170	490	305	777	145	390	350	132	170	20	187	347	277	4-18.5
IS65-50-160A	Y801-4	80	80	390	790	170	490	305	777	145	390	350	132	170	20	187	347	277	4-18.5
IS65-40-200	Y90S-4	80	100	390	790	170	490	330	822	155	390	350	160	190	20	215	395	315	4-18.5
IS65-40-200A	Y802-4	80	100	390	790	170	490	305	797	145	390	350	160	170	20	215	395	305	4-18.5
IS65-40-250	Y100L1-4	95	100	505	916	190	570	395	1002	180	470	420	180	245	25	255	480	400	4-24
IS65-40-250A	Y90L-4	95	100	505	916	190	570	355	962	155	470	420	180	190	25	255	480	355	4-24
IS65-40-315	Y112M-4	95	125	505	916	190	570	410	1042	190	470	420	200	265	25	275	525	428	4-24

水泵机组安装尺寸表 PUMP SET INSTALLATION DIMENSION TABLE

50/60Hz 1450/1725 r/min

单位：毫米 unit: (mm)

泵型号 Pump Type	电机座号 Motor Frame No.	A	a	f	L <sub>1</sub>	L <sub>2</sub>	L <sub>3</sub>	L <sub>4</sub>	L <sub>5</sub>	B <sub>1</sub>	B <sub>2</sub>	B <sub>3</sub>	h <sub>1</sub>	h <sub>2</sub>	h <sub>3</sub>	H	H <sub>1</sub>	H <sub>2</sub>	n-d
IS65-40-315A	Y100L2-4	95	125	505	916	190	570	395	1027	180	470	420	200	245	25	275	525	420	4- 24
IS65-40-315B	Y100L1-4	95	125	505	916	190	570	395	1027	180	470	420	200	245	25	275	525	420	4- 24
IS80-65-125	Y802-4	80	100	390	790	170	490	305	797	145	390	350	132	170	20	185	347	277	4- 18.5
IS80-65-125A	Y801-4	80	100	390	790	170	490	305	797	145	390	350	132	170	20	185	347	277	4- 18.5
IS80-65-160	Y80L-4	80	100	390	790	170	490	355	847	155	390	350	160	190	20	215	395	315	4- 18.5
IS80-65-160A	Y90S-4	80	100	390	790	170	490	330	822	155	390	350	160	190	20	215	395	315	4- 18.5
IS80-50-200	Y100L1-4	80	100	390	790	170	490	395	887	180	390	350	160	245	20	215	415	360	4- 18.5
IS80-50-200A	Y90L-4	80	100	390	790	170	490	355	847	155	390	350	160	190	20	215	415	315	4- 18.5
IS80-50-250	Y100L2-4	95	125	505	916	190	570	395	1027	180	470	420	180	245	25	255	480	400	4- 24
IS80-50-250A	Y100L1-4	95	125	505	916	190	570	395	1027	180	470	420	180	245	25	255	480	400	4- 24
IS80-50-315	Y132S-4	95	125	505	916	190	570	480	1102	210	470	420	225	315	25	300	583	483	4- 24
IS80-50-315A	Y132S-4	95	125	505	916	190	570	480	1102	210	470	420	225	315	25	300	583	483	4- 24
IS80-50-315B	Y112M-4	95	125	505	916	190	570	410	1042	190	470	420	225	265	25	300	583	483	4- 24
IS100-80-125	Y90L-4	80	100	390	790	170	490	355	847	155	390	350	160	190	20	215	395	315	4- 18.5
IS100-80-125A	Y90S-4	80	100	390	790	170	490	330	822	155	390	350	160	190	20	215	395	315	4- 18.5
IS100-80-160	Y100L1-4	105	100	505	1050	210	630	395	1002	180	490	440	160	245	25	235	435	380	4- 24
IS100-80-160A	Y90L-4	105	100	505	1050	210	630	355	962	155	490	440	160	190	25	235	435	335	4- 24
IS100-65-200	Y112M-4	105	100	505	1050	210	630	410	1017	190	490	440	180	265	25	255	480	400	4- 24
IS100-65-200A	Y100L2-4	95	100	505	916	190	570	395	1002	180	470	420	180	245	25	255	480	400	4- 24
IS100-65-250	Y132S-4	105	125	505	1050	210	630	480	1112	210	490	440	200	315	25	275	525	458	4- 24
IS100-65-250A	Y112M-4	95	125	505	916	190	570	410	1042	190	470	420	200	265	25	275	525	428	4- 24
IS100-65-315	Y160M-4	110	125	535	1250	250	830	628	1290	255	610	550	225	385	30	315	635	540	4- 28
IS100-65-315A	Y132M-4	110	125	535	1250	250	830	523	1185	210	610	550	225	315	30	315	595	498	4- 28
IS100-65-315B	Y132M-4	110	125	535	1250	250	830	523	1185	210	610	550	225	315	30	315	595	498	4- 28
IS100-65-315C	Y132S-4	110	125	535	1250	250	830	483	1145	210	610	550	225	315	30	315	595	498	4- 28
IS125-100-200	Y132M-4	105	125	505	1050	210	630	520	1152	210	490	440	200	315	25	275	555	458	4- 24
IS125-100-200A	Y132S-4	105	125	505	1050	210	630	480	1112	210	490	440	200	315	25	275	555	458	4- 24
IS125-100-200B	Y112M-4	95	125	505	916	190	570	410	1042	190	470	420	200	265	25	275	555	428	4- 24
IS125-100-250	Y160M-4	110	140	535	1250	250	830	628	1305	255	610	550	225	385	30	315	595	540	4- 28
IS125-100-250A	Y132M-4	110	140	535	1250	250	830	532	1200	210	610	550	225	315	30	315	595	498	4- 28
IS125-100-250B	Y132S-4	110	140	535	1250	250	830	483	1160	210	610	550	225	315	30	315	595	498	4- 28
IS125-100-315	Y160L-4	110	140	535	1250	250	830	683	1360	255	610	550	250	385	30	340	655	565	4- 28
IS125-100-315A	Y160L-4	110	140	535	1250	250	830	683	1360	255	610	550	250	385	30	340	655	565	4- 28
IS125-100-315B	Y160M-4	110	140	535	1250	250	830	628	1305	255	610	550	250	385	30	340	655	565	4- 28
IS125-100-315C	Y160M-4	110	140	535	1250	250	830	628	1305	255	610	550	250	385	30	340	655	565	4- 28
IS125-100-400	Y200L-4	130	140	535	1430	290	870	785	1462	305	660	600	280	475	40	430	785	705	4- 28
IS125-100-400A	Y180L-4	130	140	535	1310	290	870	755	1432	280	660	600	280	430	30	370	725	620	4- 28
IS125-100-400B	Y180M-4	130	140	535	1310	290	870	715	1392	280	660	600	280	430	30	370	725	620	4- 28
IS125-100-400C	Y160L-4	130	140	535	1310	290	870	685	1362	255	660	600	280	385	30	370	725	575	4- 28
IS150-125-250	Y180M-4	110	140	535	1250	250	830	715	1392	280	610	550	250	430	30	340	695	590	4- 28
IS150-125-250A	Y160L-4	110	140	535	1250	250	830	685	1362	255	610	550	250	385	30	340	695	565	4- 28
IS150-125-250B	Y160M-4	110	140	535	1250	250	830	630	1307	255	610	550	250	385	30	340	695	565	4- 28
IS150-125-315	Y200L-4	130	140	535	1430	290	870	785	1462	305	660	600	280	475	40	430	785	705	4- 28
IS150-125-315A	Y180L-4	130	140	535	1310	290	870	755	1432	280	660	600	280	430	30	370	725	620	4- 28
IS150-125-315B	Y180M-4	130	140	535	1310	290	870	715	1392	280	660	600	280	430	30	370	725	620	4- 28
IS150-125-400	Y225M-4	130	140	535	1430	290	870	835	1512	335	660	600	315	530	40	465	865	770	4- 28
IS150-125-400A	Y225S-4	130	140	535	1430	290	870	830	1507	335	660	600	315	530	40	465	865	770	4- 28
IS150-125-400B	Y200L-4	130	140	535	1430	290	870	785	1462	305	660	600	315	475	40	465	865	740	4- 28
IS200-150-250	Y225S-4	130	160	535	1400	290	870	830	1527	335	660	600	280	530	40	430	805	735	4- 28
IS200-150-250A	Y200L-4	130	160	535	1430	290	870	785	1482	305	660	600	280	475	40	430	805	705	4- 28
IS200-150-250B	Y180L-4	130	160	535	1310	290	870	755	1452	280	660	600	280	430	30	370	745	620	4- 28
IS200-150-315	Y250M-4	130	160	670	1700	320	1070	915	1747	370	730	670	315	575	40	465	865	790	4- 28
IS200-150-315A	Y225M-4	130	160	675	1510	320	1070	835	1672	335	730	670	315	530	40	465	865	770	4- 28
IS200-150-315B	Y225S-4	130	160	675	1510	320	1070	830	1667	335	730	670	315	530	40	465	865	770	4- 28
IS200-150-315C	Y200L-4	130	160	675	1510	320	1070	785	1622	305	730	670	315	475	40	465	865	740	4- 28
IS200-150-400	Y280M-4	130	160	670	1700	320	1070	1035	1867	410	730	670	315	640	40	465	915	820	4- 28
IS200-150-400A	Y280S-4	130	160	670	1700	320	1070	985	1817	410	730	670	315	640	40	465	915	820	4- 28
IS200-150-400B	Y250M-4	130	160	670	1700	320	1070	915	1747	370	730	670	315	575	40	465	915	790	4- 28
IS200-150-400C	Y225M-4	130	160	675	1700	320	1070	835	1672	335	730	670	315	530	40	465	915	770	4- 28



## 装配与拆卸

泵在装配前应首先检查零件有无影响装配的缺陷，并擦洗干净，方可进行装配。

(1) 预先可将各处的连接螺栓、螺塞等分别拧紧在相应的零件上。

(2) 预先可将O型密封垫、纸垫、油封等分别放置在相应的零件上。

(3) 预先可将密封环和填料、填料环、填料压盖(或机械密封)等依次装到泵盖内。

(4) 将滚动轴承装到轴上，然后装到悬架上，再合上压盖，用螺栓上紧，并在轴上套上挡水圈。

(5) 将轴套装到轴上，再将泵盖装到悬架内，然后再将叶轮止动垫圈，叶轮螺母等装上并拧紧，最后将上述组件装到泵体内，并拧紧泵体，泵盖上的连接螺栓。

在上述装配过程中，一些小件如平键、挡水圈、轴套内O型密封垫等容易遗漏或装错顺序，应特别注意，泵拆卸顺序基本上可按装配顺序的反向进行。

## ASSEMBLING AND DISASSEMBLING

In order to ensure the spare parts are in good conditions, the parts should be checked and cleaned before assembling.

(1). Fasten the bolts and nuts to the parts accordingly in advance.

(2). Put the o-ring, gasket, oil seal to the parts accordingly in advance.

(3). Put the wearing, packing, packing ring, packing cover or mechanical seal to the pump casing.

(4). Assemble the bearings to the shaft, and then assemble it to the bearing housing, fasten the cover and bolts, put the slinger to the shaft.

(5). Assemble the shaft sleeve to the shaft and then put the casing cover to the bearing housing, assemble the impeller lock washer and impeller nut and then fasten them, at last assemble the above whole components to the casing and then fasten the connecting bolts in the pump casing and cover.

The small parts(key, slinger, o-ring and gasket) are easy to be ignored or assembled in different sequence, so you have to pay more attention to these parts when assembling. Disassembling the pumps is in the opposite sequence.

## 安装

泵安装的好坏对泵的运行和寿命有重要影响，所以安装和校正必须仔细进行，泵的外型及安装尺寸，详见IS型泵安装图及IS型泵安装尺寸表。安装高度 10.09m - (NPSH)r米 - 0.5米 - hw米，hw为吸入管路水力损失。

### 安装和校正

(1) 清除底座上的油迹和污垢，把底座放在地基上。

(2) 用水平仪检查底座的水平度，允许用楔铁找平。

(3) 用水泥浇灌底座和地脚螺栓孔眼。

(4) 水泥干固后应检查底座和地脚螺栓孔是否松动，合适后拧紧地脚螺栓，重新检查水平度。

(5) 清理底座的支持平面，水泵脚及电机脚的平面，并把水泵和电机安装到底座上去。

(6) 联轴器之间应保持一定的间隙，检查水泵轴与电机轴中心线是否一致，可用薄片调整使其同心。泵出口法兰处最好装上压力表，以便观察和控制泵的运行情况。

## INSTALLATION

Assembling condition effects the operation and lifetime of the pump, so assembling and correction should be treated seriously. For details of pump outer dimension and assembling size, refer to IS pump assembling drawing and IS pump assembling dimension table. Assembling height 10.09m - (NPSH)r(m) - 0.5m - hw(m),hw:suction pipeline pressure loss.

## Installation and correction

(1) Clean the oil stains and dirt in the baseplate and then put the baseplate to the foundation.

(2) Check the level liner with the level instrument, and then iron plate to make sure the baseplate to be in the same level.

(3) Use the cement to fix the holes of anchor bolts between the baseplate and foundation.

(4) Check the hole of anchor bolt fix enough or not after the cement is dry, and then fasten the anchor bolt and check the level again.

(5) Clean the foundation and then put the pump and motor to the foundation.

(6) There are space between the couplings, check whether the centerline of pump shaft and motor shaft are in the same level,adjust them to be concentric by small gasket. It is better to assemble the pressure gauge on the pump outlet flange, in order to check and control the operation condition.

## 起动、停止与运转

### 1、起动：

泵工作旋转方向从驱动端往泵方向看应为顺时针方向转。

(1) 应在机泵联结前确定电动机的旋转方向是否正确，泵的转动是否灵活。

(2) 关闭吐出管路的闸阀。

(3) 向泵内灌满水，或用真空泵引水。

(4) 接通电源，当泵达到正常转速后，再逐渐打开吐出管路上的闸阀，并调节到所需要的工况。在吐出管上的闸阀关闭的情况下，泵连续工作的时间不能超过3分钟。

### 2、停止：

(1) 逐渐关闭吐出管路上的闸阀，切断电源。

(2) 如环境温度低于0℃，应将泵内的水放出，以免冻裂泵体。

(3) 如长期停止使用，应将泵拆卸上油，包装保管。

### 3、运转：

(1) 在开车及运转过程中，必须注意观察仪表读数，轴承发热，填料漏水和发热及泵的振动和杂音等是否正常，如果发现异常情况，应即时处理。

(2) 轴承温度最高不大于80℃，轴承温度不得比周围温度超过40℃。

(3) 填料正常时，漏水应该是少量均匀的。

(4) 若密封环与叶轮配合部位磨损过大应更换新的密封环。

(5) 轴承体内的油位必须保持在油镜刻度线范围内，新泵工作一百小时后应更换轴承体内润滑油，以后每运转五百小时换油一次，如用油脂润滑的轴承，应每隔五百小时用高压油枪向轴承盖上的注油杯加油一次。

## START, STOP AND OPERATION

### 1. Start

The pumps are clock-wise rotation when it is viewed from the motor side.

(1).The motor rotation direction should be checked before it is assembled to the pump, and check whether the pump is easy to be rotated or not.

(2). Shut up the gate valve in the discharge pipeline.

(3). Pour water to the pump or fill water by vacuum pump.

(4).Connect electricity, open the discharge gate valve when the pump speed reach in normal and adjust it to meet the duty point. If the gate valve is closed, the pump can't be operated more than 3 minutes.

### 2. Stop

(1). Close the gate valve in the discharge pipeline, and then close the power.

(2). If the ambient temperature is less than 0℃, the water in the pump should be let off, if not, the casing will be frost damage.

(3).if the pump has not been operated for a long time, it should be disassembled and packed.



### 3. Operation

(1). When it is in operation, you should check the meter reading, bearing, package leakage, vibration and noise, if they are not in normal, you should find the reason and solution immediately.

(2). Bearing temperature not less than 80 , and bearing temperature should not higher than ambient temperature more than 40

(3). If the packing is in normal, the leakage should be even and a little.

(4). If the space between wear ring and impeller has been worn down, the wear ring should be replaced.

(5). The oil level should keep in the reticle range, the lubrication oil should be changed when the operation time reach 100 hours for a new pump and change the oil for 500 hours each time from next time, if it is grease lubrication, the grease should be added after 500 hours operation each time.

### 保证事项

在用户选用产品恰当和遵守本安装使用说明书有关使用要求的条件下, 从本厂发货日起18个月内, 连续运转不超过12个月, 经分析产品确因制造质量不良而发生损坏和不能正常工作时, 本厂负责更换或修理, 易损件的正常磨损不在此限。

下列附件可供客户按需另购:

- 1、吐出锥管 2、底阀
- 3、闸阀 4、止回阀
- 5、易损件: 轴套、叶轮、密封环。

### GUARANTEE:

When the pumps are operated according to operation and installation manual, the pumps are selected according to the duty point and they are analyzed that the pumps can't work because of quality problems, in this case, they can be replaced or repaired for free in 18 months after delivery date or in 12 months continuous operation, but not including wear parts.

The customers can purchase the below parts if necessary.

1. discharge cone 2. bottom valve
3. gate valve
4. wear parts: shaft sleeve, impeller, wear ring

### 故障原因及其解决办法

故障	原因	解决方法
水泵不吸水, 压力表及真空表的指针在剧烈振动。	注入水泵的水不够; 水管或仪表漏气。	再往水泵内注水或拧紧堵塞漏气处。
水泵不吸水, 真空表标示高度真空。	底阀没有打开, 或已淤塞; 吸水管阻力太大, 吸水管高度太大。	校正或更改底阀; 清洗或更改吸水管, 减低吸水高度。
看压力表水泵出口处是有压力, 然而水泵仍不出水。	出水管阻力太大; 旋转方向不对; 叶轮淤塞。	检查或缩短水管及检查电机; 取下水管接头, 清洗叶轮。
流量低于预计。	水泵淤塞, 密封环磨损过多。	清洗水泵及管子; 更换密封环。
水泵消耗的功率过大。	填料函压得太紧了, 填料函发热; 或叶轮磨损坏了, 水泵供水量增加。	拧松填料函, 或将填料取出来打方一些; 更换叶轮; 增加出水管阻力, 来降低流量。
水泵内部声音反常, 水泵不上水。	流量太大吸水管内阻力过大, 吸水高度过大在吸水处有空气渗入, 所输送的液体温度过高。	增加出水管内的阻力以减低流量, 检查泵吸入管内阻力, 检查底阀, 减小吸水高度, 拧紧堵塞漏气处, 降低液体的温度。
轴承过热。	没有油; 水泵轴与电机轴不在一条中心线上。	注油; 把轴中心对准。
水泵振动。	泵轴与电机轴不在一条中心线上。	把水泵和电机的轴中心线对准。

### THE REASONS AND SOLUTIONS FOR TROUBLES.

TROUBLES	REASONS	SOLUTIONS
Pump can't draw water, pressure gauge and vacuum gauge vibrate heavily	*No enough water in pump; *suction pipe or gauge leakage	*Fill more water to the pump, *Plug the leakage point
Pump can't draw water, vacuum gauge indicate high vacuum	*Bottom valve is closed or clogged; *Suction pipe resistance is too high; *Suction pipe is too high.	*Correct the bottom valve, *Clean or replace the pipeline, *Low the suction height
Pressure gauge indicate it has pressure, but no water go out	*Discharge pipeline resistance too high; *Rotation direction is wrong, *Impeller fill was clogged.	*Check or shorter the discharge pipeline and check the motor; *Clean impeller
Flow lower than expected flow	*Pump fill up with mud; *Wear ring is damaged.	*Clean the pipeline; *Replace wear ring.
Over consumption of the power	*Packing was compressed too tight, packing chamber is too hot; *Impeller is broken, water supply increased too much.	*Loose the packing; *Replace impeller; *Increase resistance in the discharge pipeline to low the flow
Unexpected noise in the pump, the pump can't work	*Flow overabundance, pipeline resistance too high; *Suction pipeline too high and there is air leakage in the pump inlet; *The liquid temperature is too high;	*Increase the discharge resistance in the pipeline to lower the flow; *Check the resistance in the suction pipeline, check the bottom valve, screw down the air leakage place, lower the liquid temperature
Bearing is overheating	*Not enough oil; *Pump shaft is not concentric with the motor shaft.	*Add oil; *Correct the coaxial degree between pump and motor shaft
Pump vibration	*Pump shaft is not concentric with the motor shaft;	*Correct the coaxial degree between pump and motor shaft.

